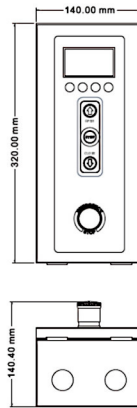


» OPERADOR INVERTER ENCODER INCL TAB 0.75K 220V MARCA POWEVER
MOD.A1-DC4 A1-PE200, A1-DC4 A1-PE500.

Specification for Controller

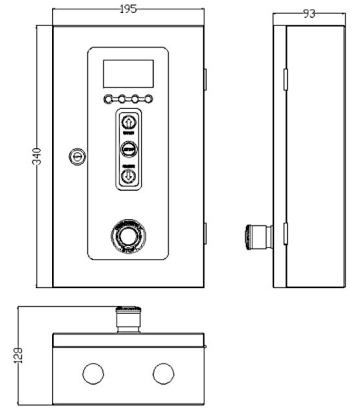
Model	DC4-1	DC4-2	
Enclosure material	SPCC		
Dimension(L*W*H)	320x140x140	340x195x128	mm
Installation method	Vertical installation without vibration		
Power supply	1N~200-240		V
Power frequency	50/60		Hz
Rate output power	1.5		KW
External power supply	24		VDC
	0.4		A
Ambient temperature	-10 ~ +50		°C
Storage temperature	-25 ~ +55		°C
Ambient humidity	30%~85%, No condensation		
Place of use	Indoor, no direct sunlight, no dust, corrosive gas, oil mist, water vapor, etc.		
Weight(net)	1.6	2.3	Kg

Size



DC4-1 Controller

UNIT: mm Size



DC4-2 Controller



A1-PE200/A1-DC4



A1-PE500/A1-DC4



» OPERADOR INVERTER ENCODER INCL TAB 0.75K 220V MARCA POWEVER
MOD.A1-DC4 A1-PE200, A1-DC4 A1-PE500.

Specification for Motor

Model	PE210	PE510	
Dimension(L*W*H)	317x110x215	442x130x228	mm
Rated Output Power	0.75	1.5	KW
Rated Speed	3000		RPM
Rated Torque	2.39	4.78	Nm
Power supply	1N ~ AC200-240		V
Power frequency	50/60		Hz
Power current	6.5	13	A
Ambient temperature	-10 ~ +40 ¹⁾		°C
Storage temperature	-25 ~ +55		°C
Ambient humidity	30%-85%, No condensation		
IP degree	IP54		
Limit Mode	Absolute Encoder		
Self Locking Mode	Electro Mechanical Brake		
Manual Release	Handle		
Weight(net)	8.0 ²⁾	13 ³⁾	Kg

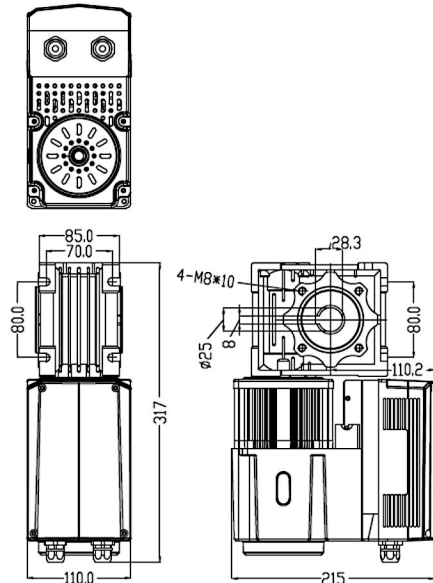
- 1)When using a temperature range of -20~-10°C and +40~+50°C use half of rated power output.
- 2)Weight includes RV50 reducer.
- 3)Weight includes RV63 reducer.

High Speed Door Servo Control System

High Speed Door Servo Control System

Size

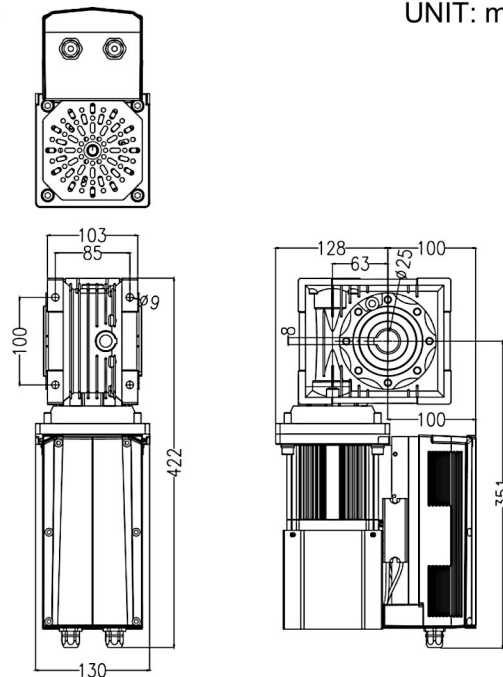
UNIT: mm



PE210(0.75KW) Motor

Size

UNIT: mm



PE510(1.5KW) Motor

